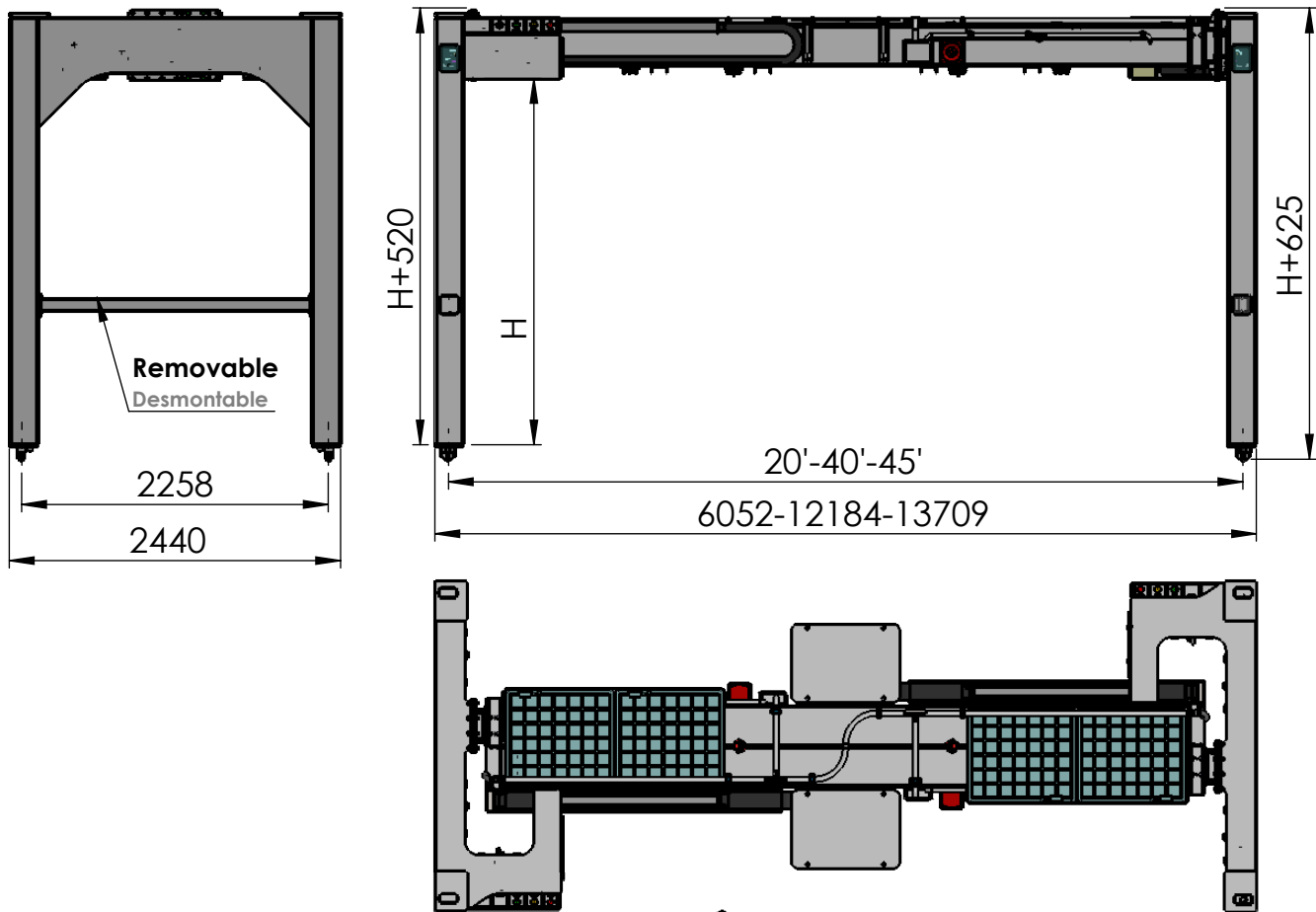
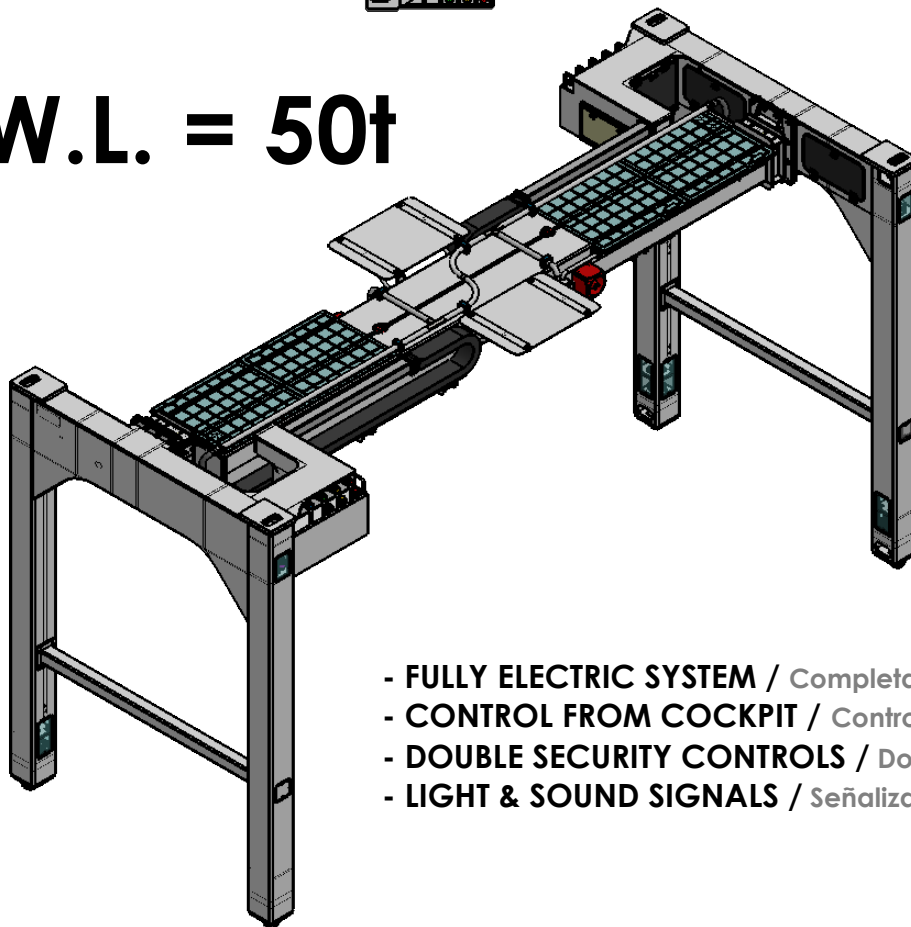


THIS DRAWING IS VALID ONLY FOR COMERCIAL PURPOSES

This document must not be copied without our written permission and the contents thereof must not be imparted to a third party nor be used for any unauthorized purpose. Contravention will be prosecuted



S.W.L. = 50t



- FULLY ELECTRIC SYSTEM / Completamente eléctrico
- CONTROL FROM COCKPIT / Control directo desde cabina.
- DOUBLE SECURITY CONTROLS / Doble sistema de seguridad.
- LIGHT & SOUND SIGNALS / Señalización acústica y luminosa.

TEC CONTAINER S.A.

Tel: + 34 91 302 16 38
Fax: + 34 91 766 42 79
teccontainer@teccontainer.com
<http://www.teccontainer.com>



**FULLY AUTOMATIC AND TELESCOPIC
OVERHEIGHT FRAME**
PROLONGADOR DE SPREADER
AUTOMÁTICO Y TELESCÓPICO

BA-030E4T