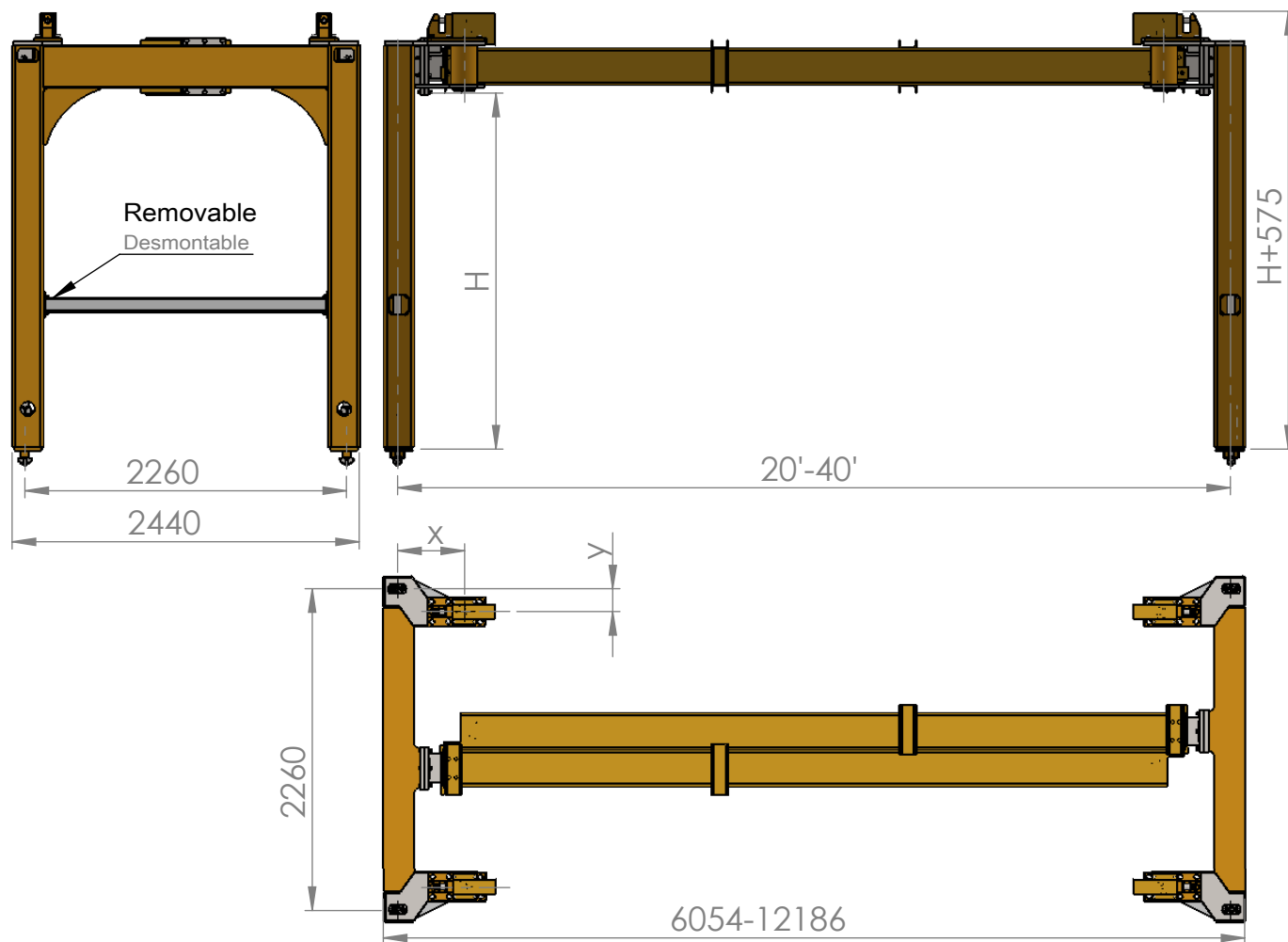
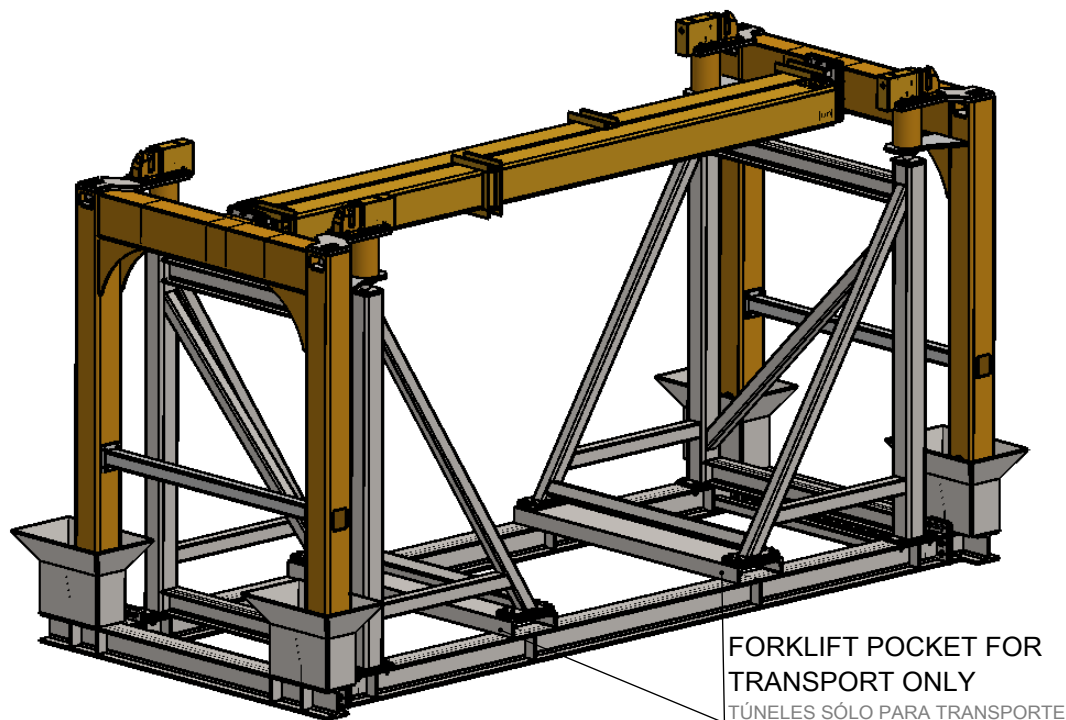


THIS DRAWING IS VALID ONLY FOR COMERCIAL PURPOSES

This document must not be copied without our written permission and the contents thereof must not be imparted to a third party nor be used for any unauthorized purpose. Contravention will be prosecuted



SWL = 50t



TEC CONTAINER S.A.

Tel: + 34 91 302 16 38
Fax: + 34 91 766 42 79
teccontainer@teccontainer.com
<http://www.teccontainer.com>



**OVERHEIGHT
FRAME**

BA-030RT(20-40)