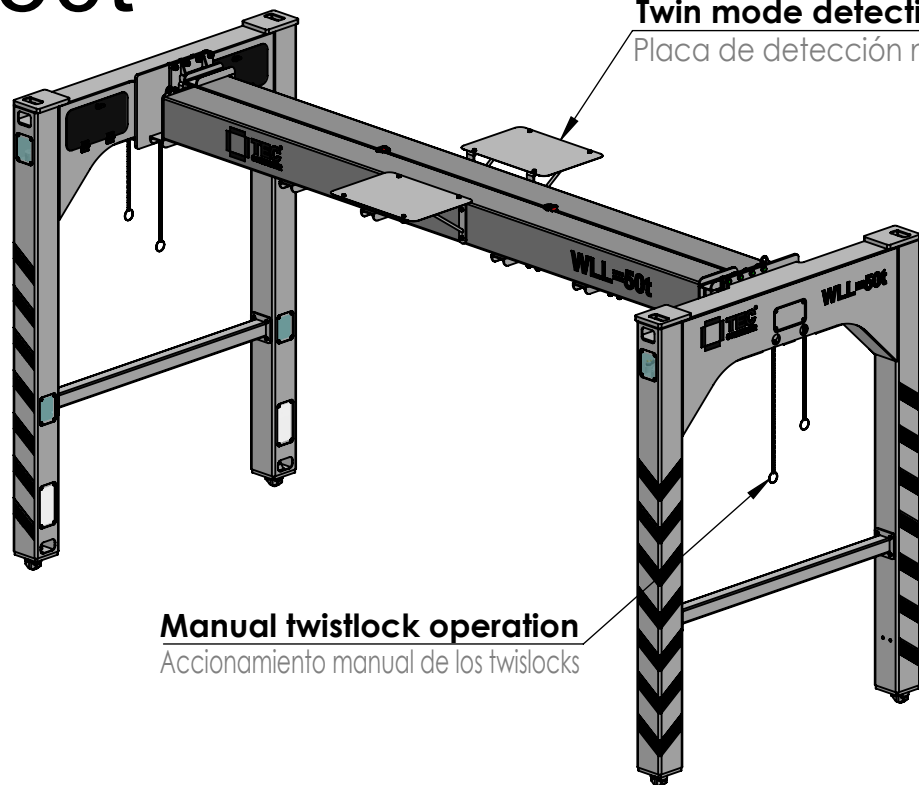


- FULLY MANUAL SYSTEM
- DOUBLE LOCK/UNLOCK INDEPENDENT PER SIDE
- SECURITY DEVICES IN EVERY LEGS
- MECHANICAL SIGNAL
- TARE: 3,2t

# WLL=50t



**TEC CONTAINER S.A.**

Tel: + 34 91 302 16 38  
 Fax: + 34 91 766 42 79  
 teccontainer@teccontainer.com  
<http://www.teccontainer.com>



**MANUAL & TELESCOPIC  
 OVERHEIGHT FRAME**  
 PROLONGADOR DE SPREADER  
 SEMIAUTOMATICO Y TELESCOPICO

**BA-030M4T**