

The BA-030H is a semiautomatic attachment for spreaders, designed to handle overheight containers, flat-racks and platforms. This TEC model is a universal frame which can be attached to any ISO spreader without the need of modification.

The twistlocks open and close by means of a semiautomatic mechanism which is actuated by the movement up and down of the master spreader, but only when the landing pins are totally introduced into the legs.

BA-030H is equipped with high quality components made of the best materials in the market, ensuring its long durability and reliability during its entire life span.

- Universal: can be used with all brands of spreaders
- Autonomous: only fixed to the main spreader by the main spreader twistlocks
- WLL: 50t
- Telescopic 20'-45' or fixed versions available
- Free height: 2500mm
- Torque limitation system to prevent locking twistlocks in blocked corners. returning to the original position
- Safety pins
- Twistlocks position indicator
- CE Certificated

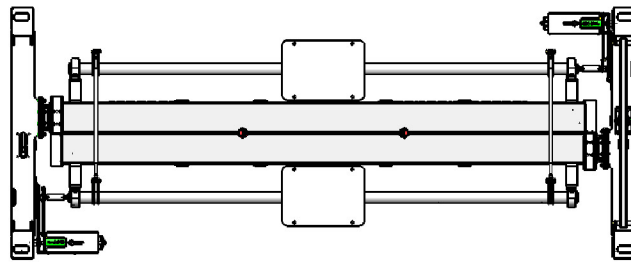
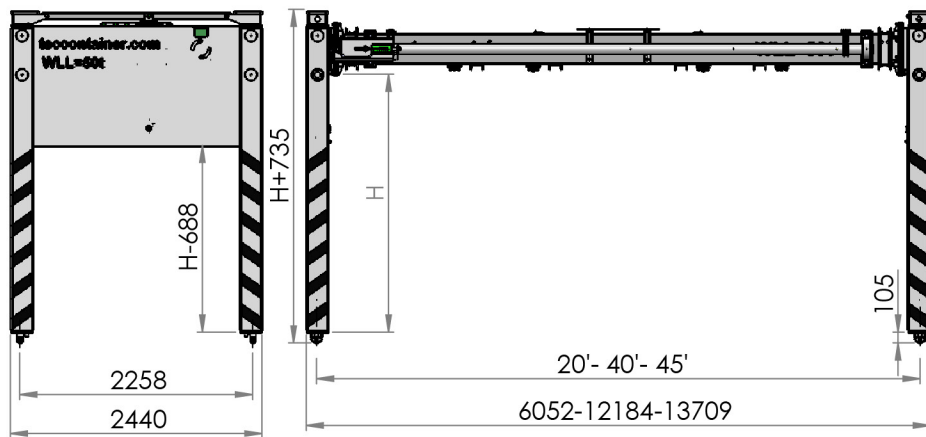
TECHNICAL SPECIFICATIONS

- SWL = 50t
- Free Height = 2.5m (Other Heights under customer requirements)
- Telescopic 20-40-45ft or Fixed Versions available
- Floating twistlocks
- Landing Safety Pins
- Mechanical safety interlocking pins
- Twin-Mode detection plates
- 2 high-visibility plates to indicate the position of the twistlocks
- C4 or C5M painting system
- Color and Logo according to customer's request

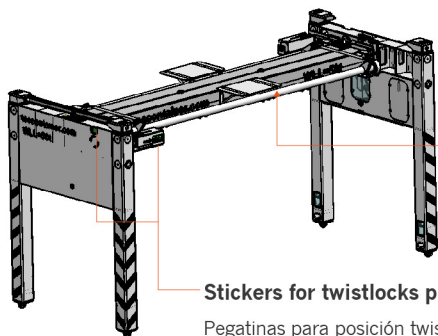


follow this link to watch a 3D Animation of the BA-030H

Specifications may vary. Contact TEC CONTAINER for further clarifications.



SWL = 50t



Twin mode detection plate

Placa detección modo twin

Stickers for twistlocks position (red/green)

Pegatinas para posición twistlocks (rojo/verde)



follow this link to watch a 3D Animation of the BA-030H

SEMI-AUTOMATIC AND TELESCOPIC OVERHEIGHT FRAME

PROLONGADOR DE SPREADER

BENEFITS

- It is universal: Compatible with any type of spreader in the market
- No modification / manipulation of the spreaders at the terminal is required
- It can be positioned at any place at the terminal
- No Parking stand required
- Complete structure made S355J2+N & Twistlocks F-1252
- The maintenance is very simple and basically consists in lubricating the mobile parts and in visual inspection of the welding and general state before use to make sure there is no corrosion / cracks etc
- Complete technical documentation, maintenance, use instructions and spare parts list
- Training courses available at site during commissioning
- Delivered inside a 40ft HC Container reducing transport costs



MANUFACTURED ACCORDING TO:

- EUROPEAN MACHINERY DIRECTIVE 2006/42/CE
- EN 13155:2004+A2:2009
- EUROPEAN DIRECTIVE: 2001/95/CE



In the telescopic version the main spreader must be ready to telescope while the twistlocks are closed
In the telescopic version the main spreader must be ready to telescope with a minimum force of 4500N



For more information, spare parts or prices, please check our web ohframes.com

